

Resealing Type

Sudden Pressure Relief Device

Get the pole transformers be in rupture free.



Installed

Not activated

Activated

In Case of internal fault



ruptured



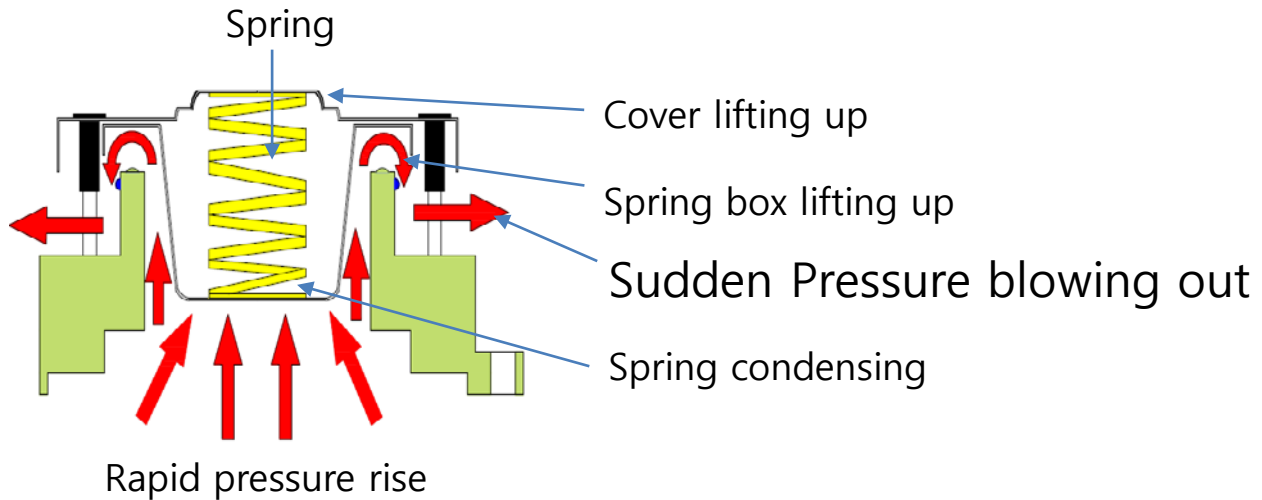
No SPRD

Tank Ruptured

Benefits of the SPRD

1. Tank rupture free in case of internal accident of transformer
SPRD blows out high pressure in advance of tank rupture when the internal accident occurs in the transformer.
2. Prevent from Line Workers injured, wildfire, environmental contamination.
Tank rupture free makes them possible(oil ignition, mass most high temperature oil flowing out free).
3. Cut operating cost
Save money on unnecessary costs including safety & environmental incidents.

How it works?



In case of TR internal faults caused by arc, breakdown of oil results gas bubble and high pressure rise that lifts the spring container box to blow out the pressure immediately. And then the pressure relieved.

Features

1. Ratings

Static pressure : $0.7 \pm 0.13 \text{ kgf/cm}^2$

Dynamic pressure : $1.4 \pm 0.14 \text{ kgf/cm}^2$ within 40mS

2. Preventing TR encloser rupture

Protect Tr from tank rupture, Mass oil blowing out, wildfire

Protect people & properties from injured

3. Resealing pressure-after operation

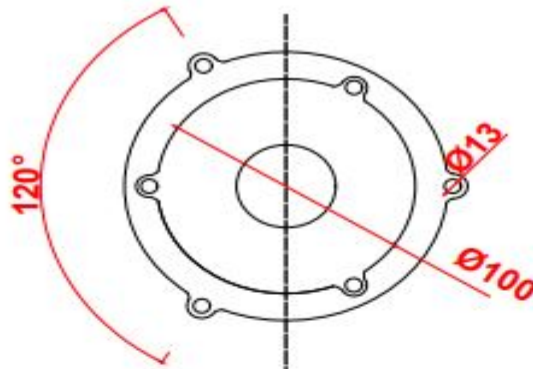
Minimum 0.43 kgf/cm^2

Applications

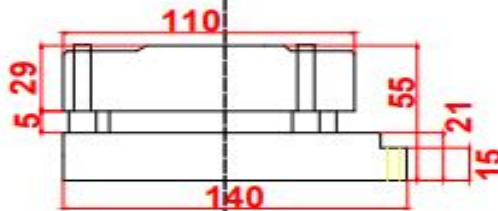
1. **Smaller than 101kva distribution pole transformers.**
2. **Lower voltage than 25.8kv**
3. **Dimension & Ratings customizable**
4. **Two step operations(static & dynamic pressure)**

Dimension(mm)

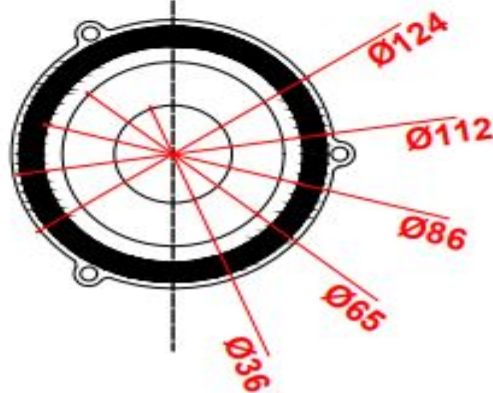
Top view



Side view



Bottom view



**Daeyoung General Industrial
Equipment CO.,Ltd**

45Maengri-ro,17beon-gil, Wonsam myeon,
Yongin-si, Gyeonggi-do, Korea 17166

Tel :+82-31-322-7950-1, Fax :+82-31-322-7952

Contact us today!!
www.dayoungelect.co.kr